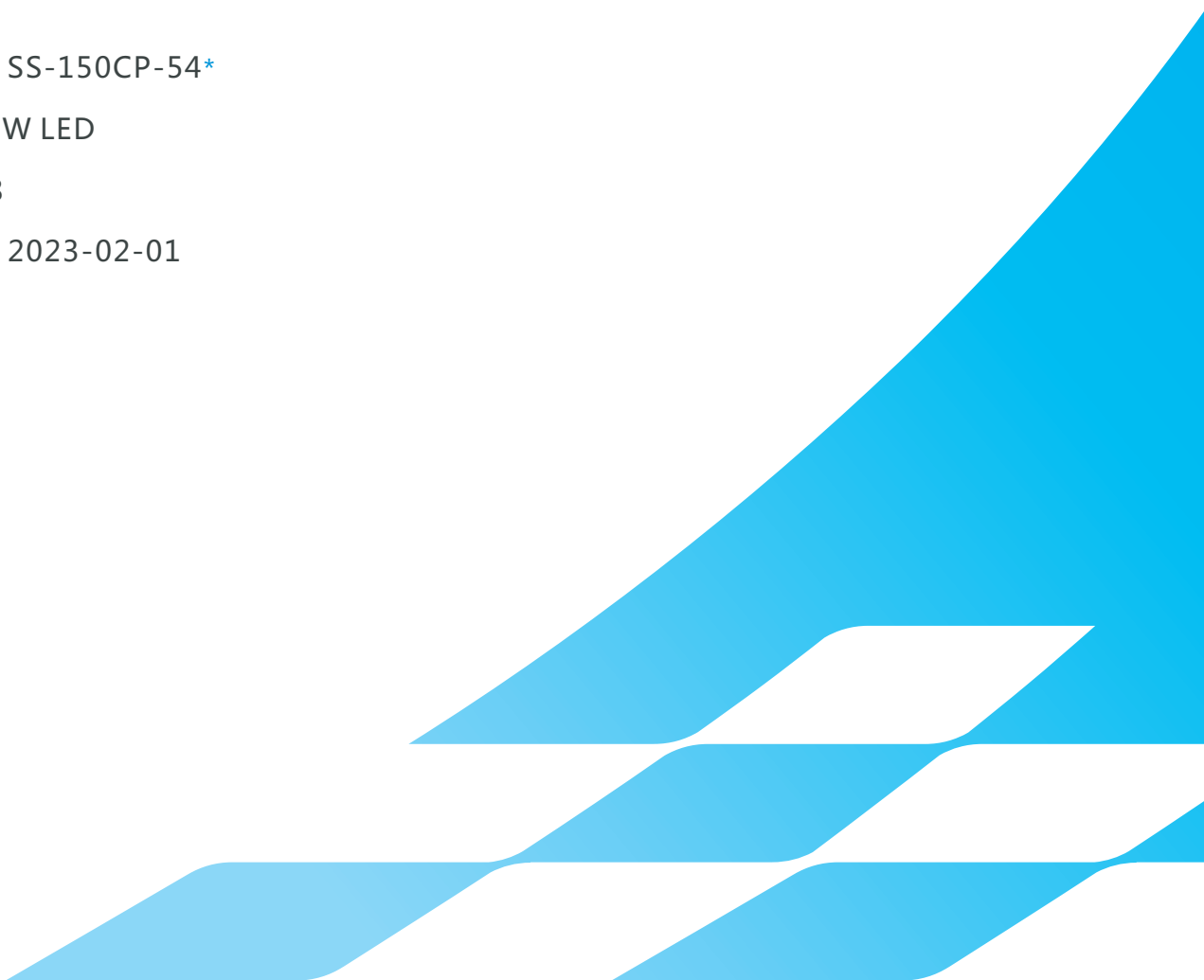


: SS-150CP-54*
: 150W LED
: V08
: 2023-02-01



LED DRIVER

LED DRIVER

- 93%
- 1-10V PWM
- IP65
- 全方位保护：短路/过温/过压/
- 防雷:共模4kV/差模4kV
- 质保5年

型号

SS-150CP-54*	108-305Vac	150W	28-54V	36-54V	2.1-4.2A	7%	0.97	93%	85
--------------	------------	------	--------	--------	----------	----	------	-----	----



	120Vac		277Vac	
	108Vac		305Vac	
	47Hz		63Hz	
			1.7A	108Vac

(120Vac)			50A	
(220Vac)			95A	冷机启动
(277Vac)			125A	冷机启动
			10W	220Vac/50Hz, 空载
	0.95	0.98		220Vac/50Hz, 满载
	0.90			120-277Vac/50Hz
		7%	13%	220Vac/50Hz
			17%	220Vac/50Hz

	28V		54V	28-36V
	36V		54V	$P_o = V_o \cdot I_o = 150W$
	2.8A		4.2A	4.2A 36V, 2.8A 54V
AOC	2.1A		4.2A	
			60V	
@ 120Vac	90.0%	91.5%		43V/3.5A
@ 220Vac	91.0%	93.0%		43V/3.5A
@ 277Vac	91.0%	93.0%		43V/3.5A
	-5%		+5%	
PK-AV		5%	10%	
			10%	
			0.5S	120Vac
			0.5S	220Vac
	-2%		+2%	
	-2%		+2%	
	-0.03%/		+0.03%/	0 85
	90	100	110	> Tc Typ., < Tc Min.,
			10W	



1-10V		0V		12V	DIM+ 110uA
		10%Iomax		100%Ioset	DIM+ /DIM-
		1V		10V	
PWM	PWM	9.8V		10.2V	DIM+ 110uA
	PWM	0V		0.3V	DIM+ /DIM-
	PWM	1KHz		2KHz	
	PWM	10%		100%	
		10Kohm		100Kohm	DIM+ 110uA
		10%Iomax		100%Ioset	
	65	100,000 hours			80%
	76	55,000 hours			80%
MTBF		221,000 hours			220Vac, 25 (MIL-HDBK-217F)
		IP65			
		85			
		5			75
		1500g			
		151mm*71mm			x

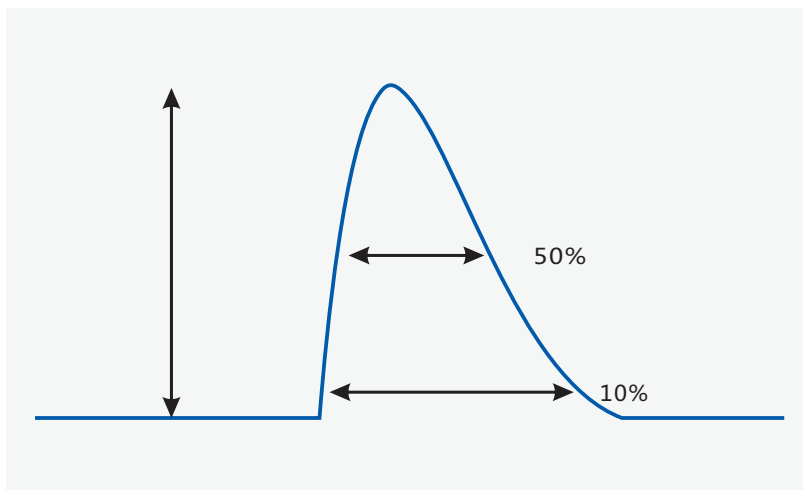
25 LED





	UL	ENEC	CCC	
	1600Vac	3000Vac	3750Vac	
	1600Vac	1500Vac	1875Vac	
	1600Vac	3000Vac	3750Vac	
	1600Vac	1000Vac	1000Vac	
	500Vac	1000Vac	1000Vac	
	500Vac	250Vac	500Vac	
	10MΩ		500Vdc	
	0.1Ω		25A/1min	
	0.75mA		277Vac	

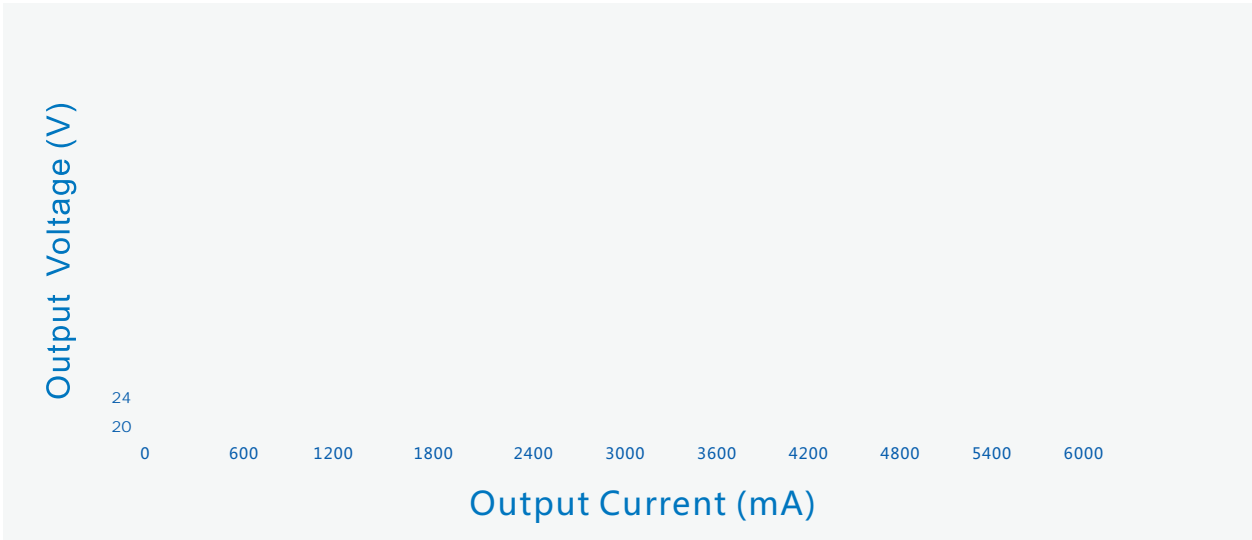
- 1. EMC
 - 2. LN
 - 3. CCC
- EMC
- IEC 60598-1:2014 10.2 " "



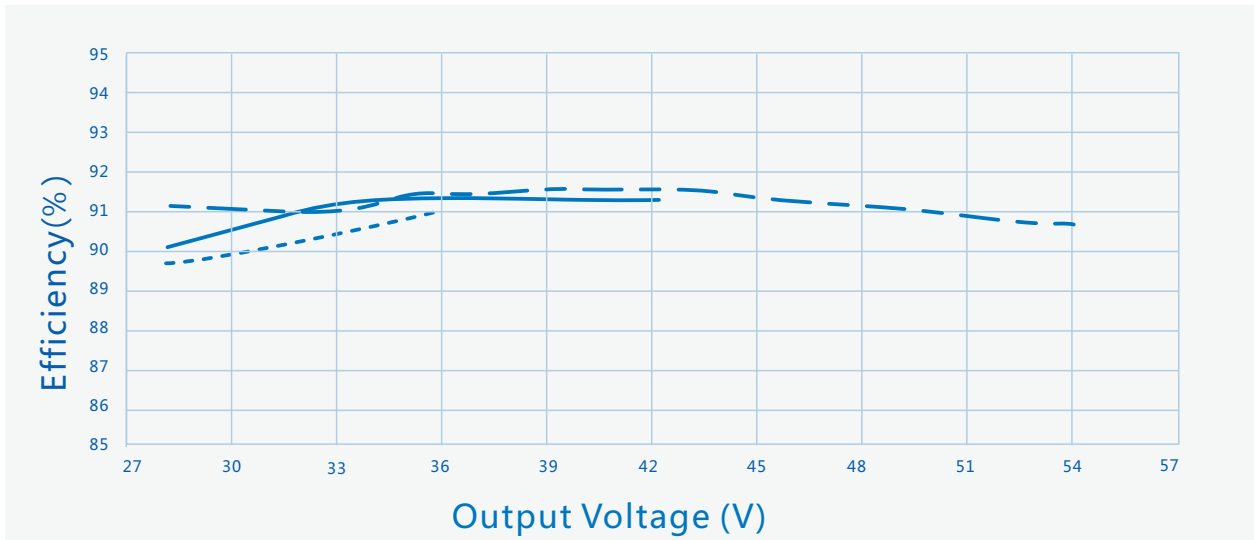
		T(@ 10%)	T(@ 50%)
120Vac	50A	600uS	
220Vac	95A		200uS
277Vac	125A	500uS	



Vs. (/AOC)



Vs. (Vin=120Vac)



----- Io=4200mA ————— Io=3500mA - - - Io=2800mA





SHENZHEN SOSEN ELECTRONICS CO., LTD

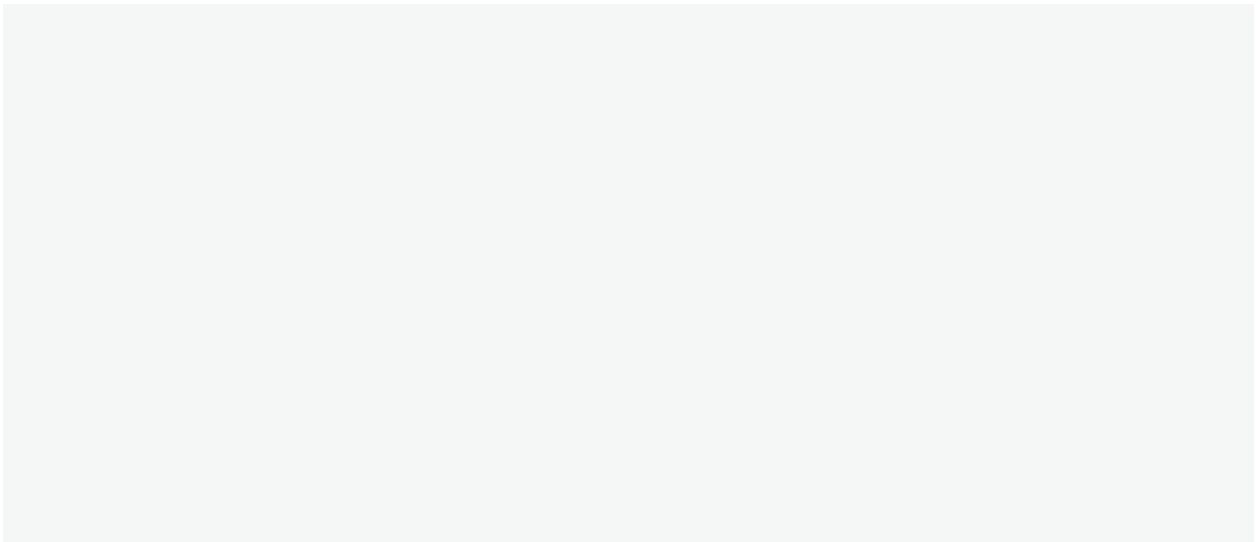
0758 78 30
5
65

55-29358800

5R 0 ofo
pP A%
&D5 4P" *d2%a8x F

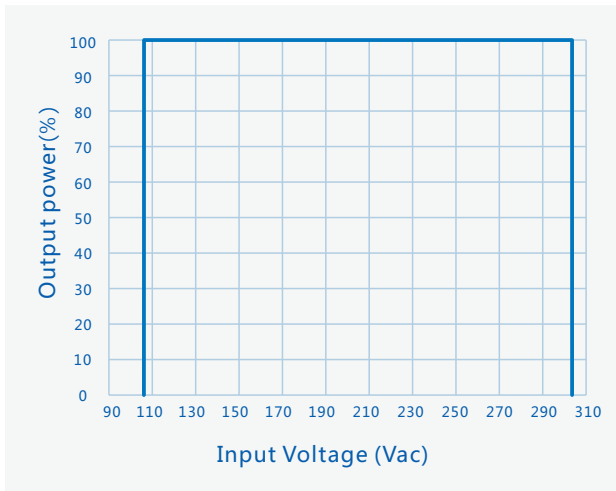
Vs.

Vs.

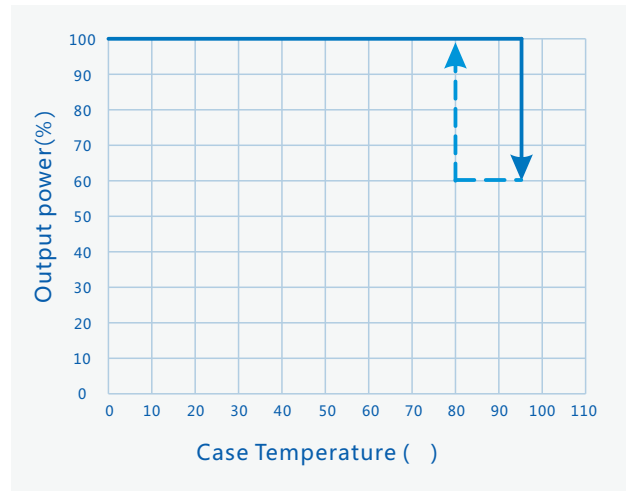


35

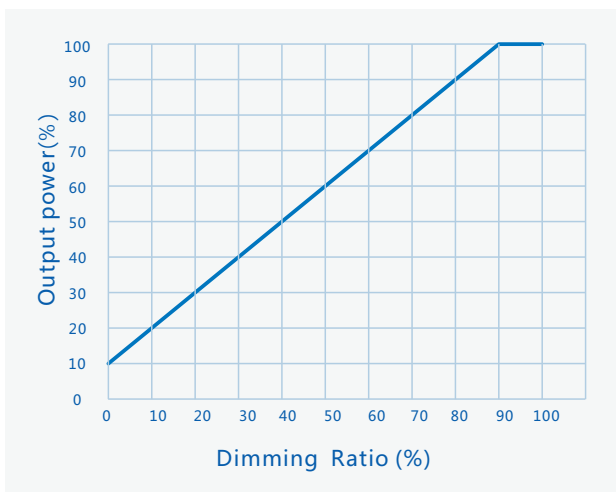
Vs. (60)



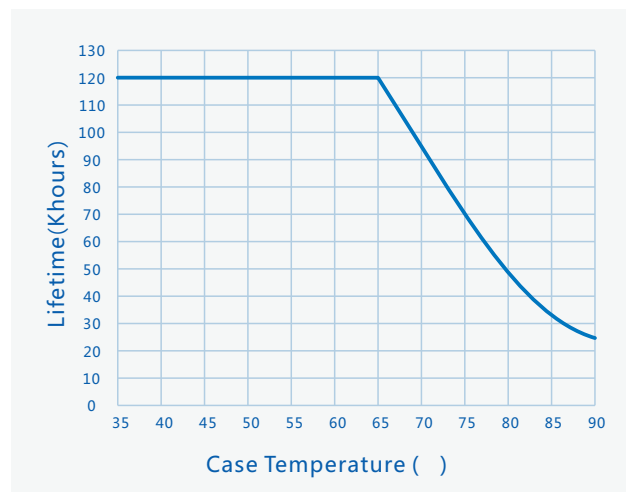
Vs.



Vs.

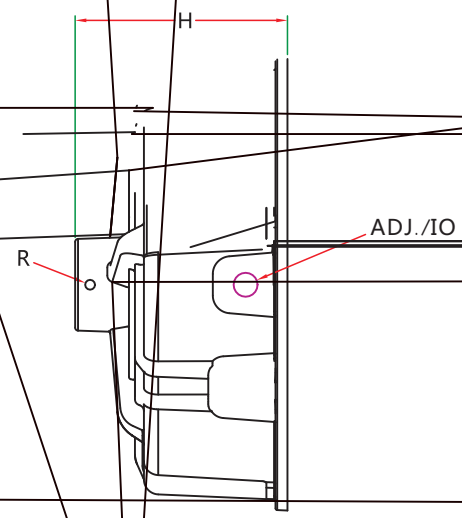
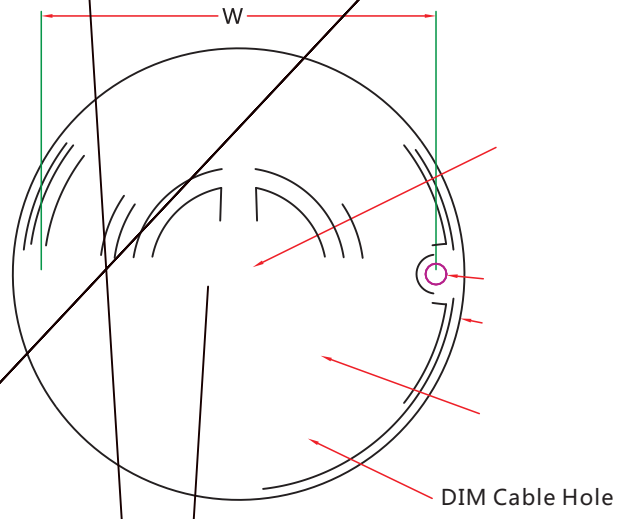


Vs.



AC	(300±10mm)					
SJTW	3*18AWG	:7.8mm	:L	:N	:⊕		
H05RN-F	3*1.0mm ²	:7.3mm	:L	:N	:⊕		
SJOW	3*17AWG	:8.0mm	:L	:N	:⊕		
IS:9968	3*1.0mm ²	:7.4mm	:L	:N	:⊕		
DC	(300±10mm)					
SJTW	2*18AWG	:7.3mm	:V+	:V-			
/	H05RN-F	2*1.0mm ²	:7.0mm	:V+	:V-		
SJOW	2*17AWG	:7.7mm	:V+	:V-			
DIM	(220±10mm)					
/	/	/	UL 2733	2*22AWG	5.7mm	DIM+	
						:DIM-	

		mm(In.)
PG	A	M12*1.5
	4-B	7.0(0.28)
	D	151.0(5.95)
	H	71.5(2.82)
	Z	M12*1.75(20mm) G1/2(17mm)
	R	M4*0.7
	W	132.0(5.2)
	W1	132.0(5.2)
Tc	X	35(1.38)
Tc	Y	15(0.59)







V00		2018/10/18	
V01		2019/04/25	
V02		2019/06/17	
V03		2019/09/09	
V04		2020/03/05	
V05		2020/05/09	
V06		2021/07/02	
V07		2021/09/02	
V08		2023/02/01	

